

C8

Surround



The C Series (C8 and C10) is the first coaxial cinema surround loudspeaker in the world. The unique coaxial loudspeakers plus a wooden enclosure design for the surround loudspeakers ensure not only pure and natural sound, but also maximum consistency of the audio from the surround channel and screen channel.

As we all know, a design that ensures the consistency of tones among the various audio channels is extremely important for 3D cinema with an increasing number of audio channels. C8's breakthrough point source surround loudspeakers provide high-fidelity performance comparable to screen channel loudspeakers, hence helping users to maximize consistent multi-channel sound effects with minimal costs and fully reproducing the audio details of each surround channel, which ensures the telepresence.

The entire C8 is built with a single high-quality tailored 8-inch coaxial loudspeaker, frequency response ranging in 54Hz-18kHz and power peaking at 720W. This fully ensures that the surround channels provide sufficient dynamic range and that sound and screen channels integrate seamlessly.

Its patented design of a quick mounting kit and a preset 15-degree downward elevation angle at the front of the loudspeaker box ensure maximum mounting efficiency.

With unified multi-channel sounds, sufficiently dynamic surround channels, and easy & quick mounting, C8 is doubtlessly a set of superior surround sound loudspeakers.

Features & Benefits

- Pure point audio source structure
- Excellent screen loudspeaker aiming capability
- Excellent fidelity and highly dynamic performance
- Easy to mount
- Seamless integration of X serial screen loudspeakers and ultra-low frequency BA18

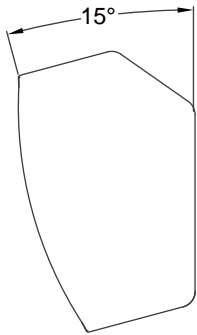
Applications

Medium and small cinemas, video testing rooms, and post-production studios.

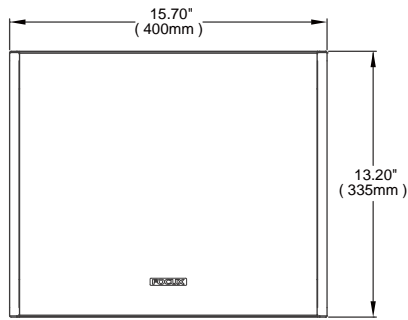
Recommended distance in application

The best effect in cinema is less than or equal to 12 meters wide. The maximum width should not exceed 19 meters.

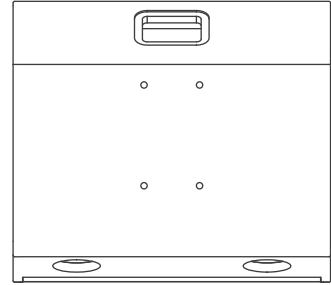
Frequency Response	54 Hz - 18 kHz ±3 dB
System Maximum SPL	115 dB continuous 121 dB Peak
Power Rating (AES)	180 W
Peak power	720 W
Nominal Impedance	8 Ω
Sensitivity (1W/ 1 M)	92 dB
Coverage Angle	90° horizontal x 90° vertical
Crossover	Passive
Transducers	One 8" Coaxial driver
Dimension (H x W x D)	13.2" x 15.7" x 9" 335 x 400 x 230 (mm)
Net Weight	22 lbs (10 kg)



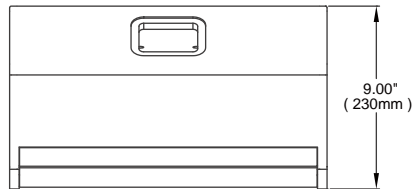
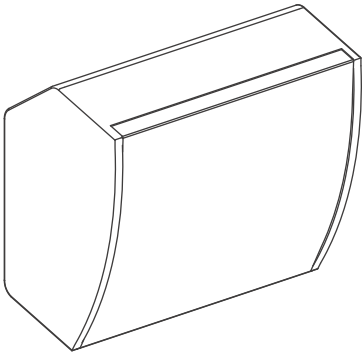
Right



Front



Rear



Top

C8

Focux Technology LLC

11601 Wilshire Boulevard #500
Los Angeles, CA 90025 USA

sales@focux.us
www.focux.us