

BA18

Subwoofer



BA18 dynamic subwoofer design provides adequate output at ULF sound pressure levels, which is a highly efficient and flexible design. The loudspeaker box is made of an ULF 18-inch cone loudspeaker and a LF reflexive wooden enclosure. Its single loudspeaker alone is able enough to reach a power of up to 2400W, providing extremely limited distortion to ULF sounds.

The loudspeaker enclosures are made of MDF boards. The dimensions of the enclosure are well controlled in the effective volume of an ideal combination of loudspeakers, at the same time, it guarantees that it is small enough to be installed anywhere in the world. The design of a single 18-inch loudspeaker provides you with benefits that it can produce a more flexible combination of applications to meet all needs, while ensuring easiness of transportation and mounting.

BA18 only needs one amplifier channel to drive one or more channels simultaneously. The user is free to choose different layout plans for mounting so that the entire audience receives uniform but impactful ULF coverage. One BA18 subwoofer alone is able enough to provide a distance of 7 meters in amplification needs. Therefore, even in a cinema of 28 meters in length, four units of BA18 are well sufficient to cope with the amplification demands of a highly dynamic cinema.

In addition to satisfactory sound performance, the powerful and impactful ULF BA18 subwoofer ensures even more efficiency in sound engineering construction for cinemas.

Features & Benefits

- Peak power ensuring excellent transient response
- Extremely low distortion
- Very reliable and durable
- Compact and lightweight
- Seamless integration of X serial screen sound channel loudspeakers and C series surround

Applications

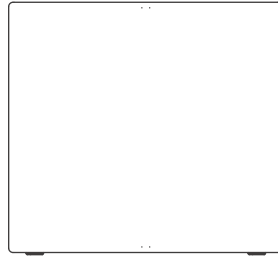
Any size cinemas

Recommended distance in application

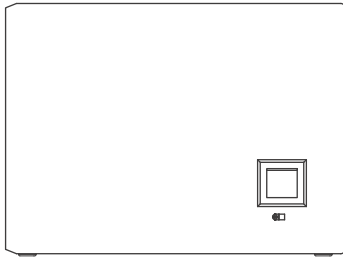
For best effects, the distance of from the back-wall of the cinema to the screen:

- Less than or equal to 7 meters, uses one BA18 or more
- Less than or equal to 14 meters, uses two BA18 or more
- Less than or equal to 21 meters, uses three BA18 or more
- Less than or equal to 28 meters, uses four BA18 or more
- Great than 28 meters, uses six BA18 or more

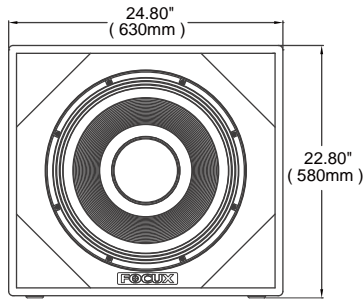
Frequency Response	38 Hz - 200kHz ±3 dB
System Maximum SPL	124 dB continuous 130 dB Peak
Power Rating(AES)	600 W
Peak power	2400 W
Nominal Impedance	8 Ω
Sensitivity(1W/ 1 M)	96 dB
Transducers	One 18" cone driver
Dimension(H x W x D)	22.8" x 24.8" x 30.7" 580 x 630 x 780 (mm)
Net Weight	116 lbs (53 kg)



Rear



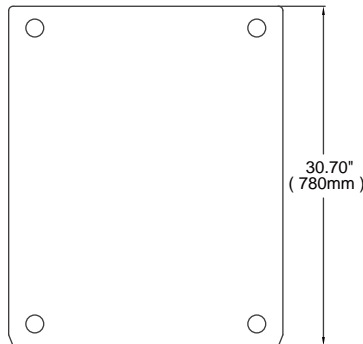
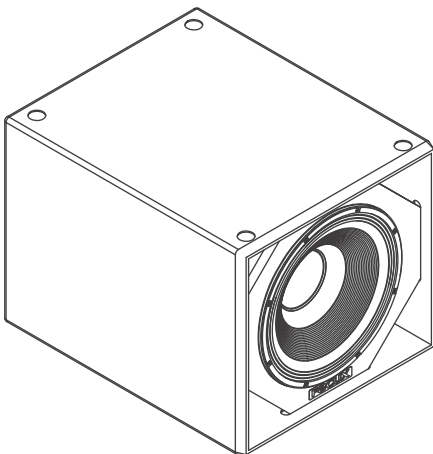
Right



Front



Left



Top

BA18

Focux Technology LLC

11601 Wilshire Boulevard #500
Los Angeles, CA 90025 USA

sales@focux.us
www.focux.us

FOCUX is registered trademarks of Focux Technology LLC. All other trademarks remain the property of their respective owners.
©2012 Focux Technology LLC all rights reserved.